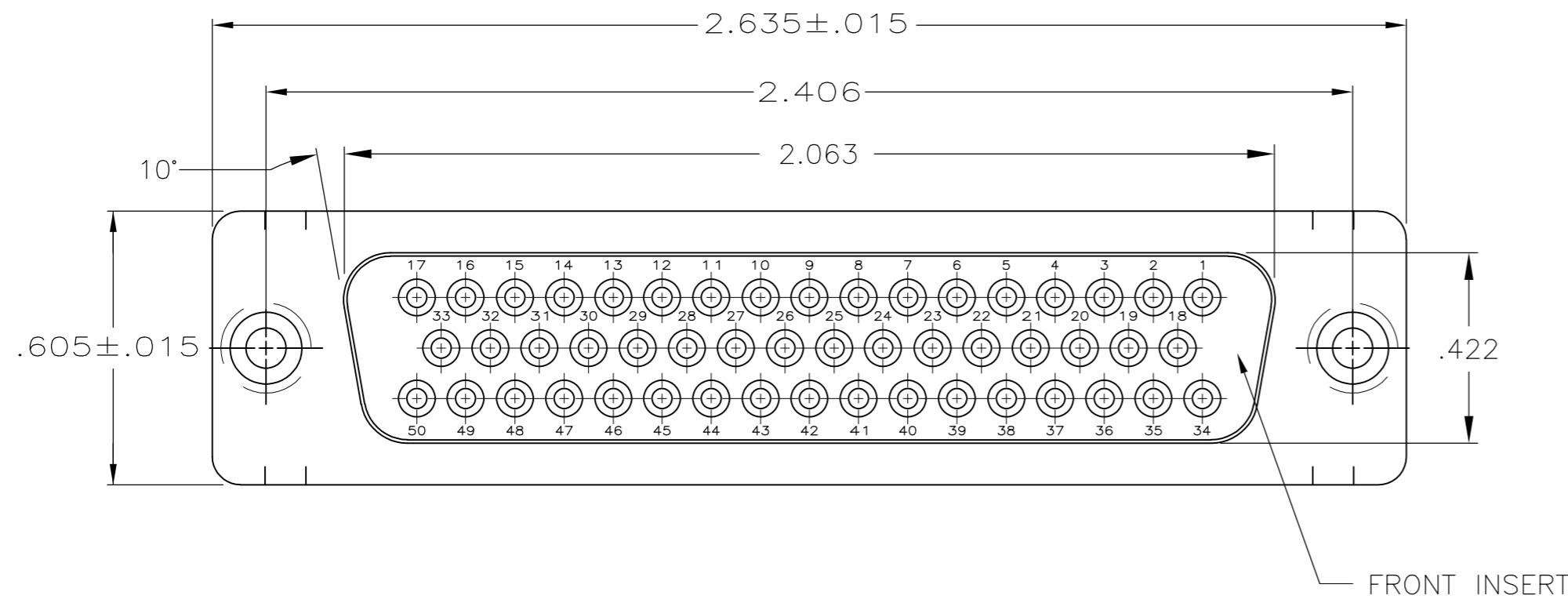
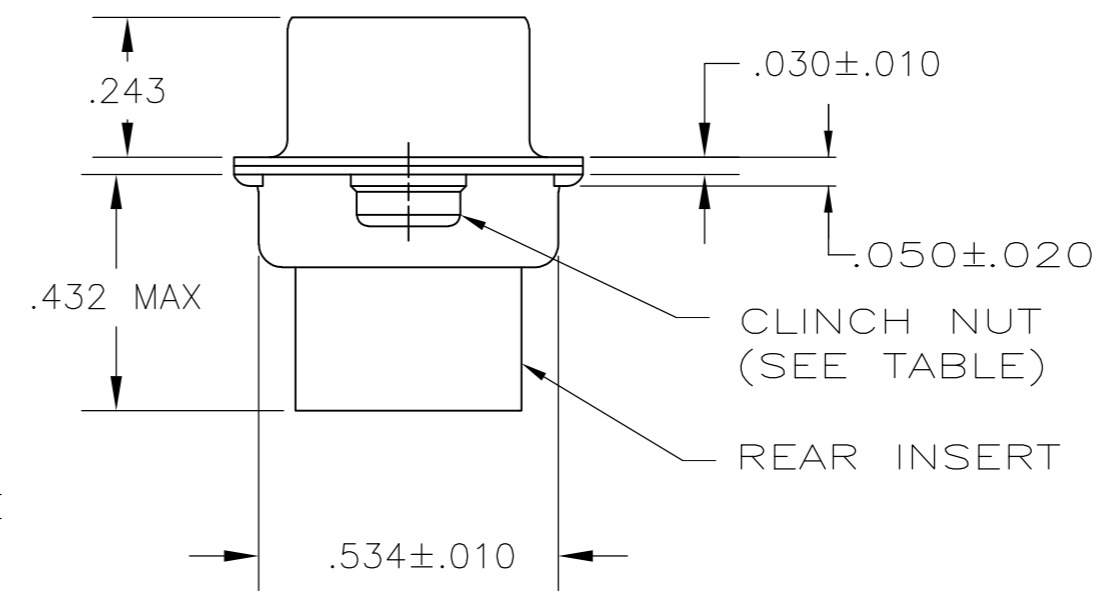
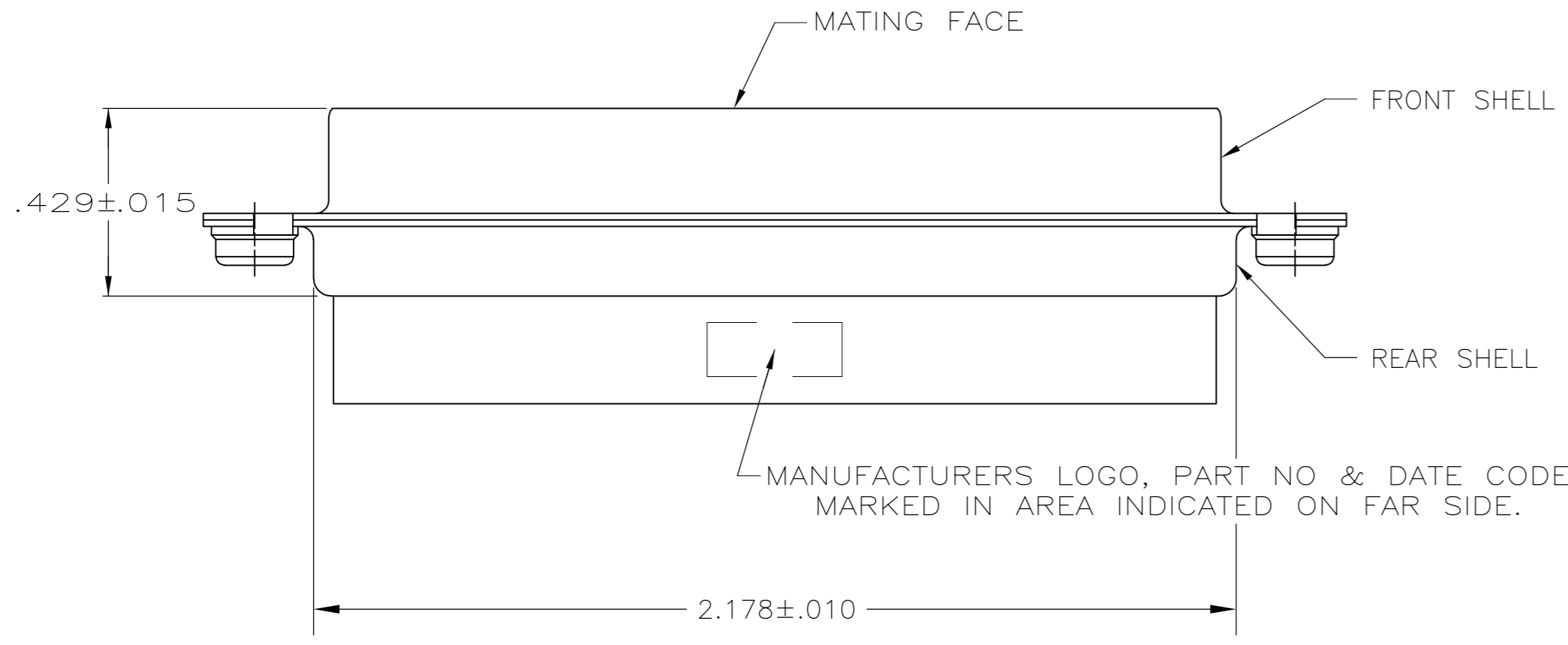


THIS DRAWING IS UNPUBLISHED. RELEASED FOR PUBLICATION
 © COPYRIGHT - By - ALL RIGHTS RESERVED.

LOC		DIST		REVISIONS			
P	LTR	DESCRIPTION		DATE	DWN	APVD	
GP	00	B		REVISED PER ECO-14-011808	11AUG2014	AP	SB



- 1. CONNECTOR ACCEPTS SIZE 20 DF SOCKET CONTACTS, RETENTION TINES ARE AN INTEGRAL PART OF INSERT.
- 2. INSERTS: GLASS-FILLED PBT OR GLASS-FILLED NYLON, UL94V-0 RATED. COLOR: BLACK.
- SHELLS & CLINCH NUTS: CARBON STEEL PER ASTM A109.
- 3. SHELLS: .000200 MIN TIN OVER .000100 MIN COPPER.
- 4. BLACK INSERT, ZINC PLATED CLEAR CHROMATE COATING.
- 5. BLUE INSERT, ZINC PLATED YELLOW CHROMATE COATING.



5	M3	5745884-2
4	4-40	5745884-1
CLINCH NUT FINISH	CLINCH NUT THREAD	PART NO

THIS DRAWING IS A CONTROLLED DOCUMENT.		DWN	12-21-04	TE Connectivity	
DIMENSIONS: INCHES		CHK	12-21-04	RECEPTACLE CONNECTOR, SIZE 5, 50 POS., W/ CLINCH NUTS, AMPLIMITE HDP	
TOLERANCES UNLESS OTHERWISE SPECIFIED:		APVD	12-21-04	SIZE	CAGE CODE
0 PLC	± -	PRODUCT SPEC	108-40005	DRAWING NO	RESTRICTED TO
1 PLC	± -	APPLICATION SPEC	114-40030	SCALE	SHEET
2 PLC	± -	MATERIAL	2	4:1	1 of 1
3 PLC	± .005	FINISH SHELLS: 3	00779	SCALE	4:1
4 PLC	± -	CLINCH NUTS: 2	C=5745884	SHEET	1 of 1
ANGLES	± -	SEE TABLE	CUSTOMER DRAWING	REV	B